

MSR15D

Description

The MSR15D has 2 N.C. dual channel input for use with gate interlocks and emergency stop buttons in higher risk applications.

The MSR15D has output monitoring that can accommodate an automatic/manual reset. Automatic/manual reset can use a jumper or can be used to check operation of the contacts.

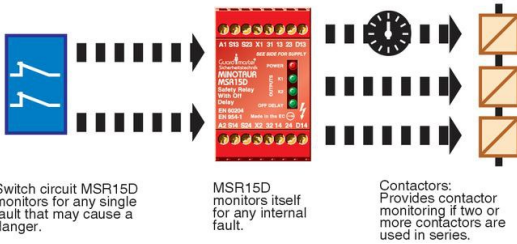
The MSR15D has 2 N.O. safety outputs, 1 N.C. auxiliary output and 1 N.O. delayed safety output. The delay is set by an internal potentiometer. The safety outputs have independent and redundant internal contacts to help ensure the safety function. The auxiliary contact is a nonsafety output intended to provide an external signal about the status of the safety outputs.



Features

- Safety category 3
- Stop category 0 and 1
- 2 N.C. dual channel input
- 2 N.O. safety outputs
- 1 N.O. safety delayed output
- 1 N.C. auxiliary output
- Automatic/manual reset
- 45mm wide housing

The safety function is ensured by the Minotaur



LED Indicators

Green	Power
Green	Start
Green	CH1 IN
Green	CH2 IN
Green	CH1 output energized
Green	CH2 output energized

Specifications

Standards	EN 954-1, ISO13849-1, IEC/EN 60204-1, IEC 60947-5-1, ANSI B11.19, AS4024.1
Category	Cat. 3 per EN 954-1 (ISO 13849-1)
Certifications	—
Power Supply	24V AC/DC
Power Consumption	<4 VA
Safety Inputs	2 N.C.
Input Simultaneity	0.5 s
Input Resistance, Max.	500 Ω
Reset Type	Auto./Manual
Safety Outputs	Safety: 2 N.O. Auxiliary: 1 N.C.
Output Utilization per IEC60947-5-1 (Inductive)*	B300, AC-15: 4 A/250V AC, 4 A/125V AC P300, DC-13: 2 A/24V DC
Thermal Current	4 A (nonswitching)
Fuses, Input	500 mA time-lag (internal, replaceable)
Fuses, Output	5 A quick acting (external)
Switching Current @ Voltage, Min.	10 mA @ 10V
Maximum Drop-Out Time	90 ms
Status Indicators	Red = Power On Green = K1 Closed Green = K2 Closed
Rated Impulse withstand Voltage	2500V
Installation Group	C in accordance with VDE 0110
Pollution Degree	3
Operating Temperature [C (F)]	-10...55° (14...131°)
Relative Humidity	90%
Enclosure Type Rating	IP40, (NEMA 1), DIN 0470
Terminal Protection	IP20, DIN 0470
Conductor Size, Max.	1 x 2.5 mm ² (14 AWG) stranded, 1 x 4 mm ² (12 AWG) solid
Torque Settings—terminal screws	1 N•m (8.85 lb•in)
Material	Red Polycarbonate
Mounting	35 mm DIN Rail
Weight [g (lb)]	230 (0.51)
Electrical Life	220V AC/4A/880VA cosφ = 0.35 - 100,000 operations 220V AC/1.7A/375VA cosφ = 0.6 - 500,000 operations 30V DC/2A/60W - 1,000,000 operations 10V DC/0.01A/0.1W - 2,000,000 operations
Mechanical Life	2,000,000 operations
Vibration	0.75 mm (0.30 in.) peak, 10...55 Hz
Shock	30 g, 11 ms half-sine

* See Output Ratings on **Output Ratings** for details. Consult factory for ratings not shown.

Product Selection

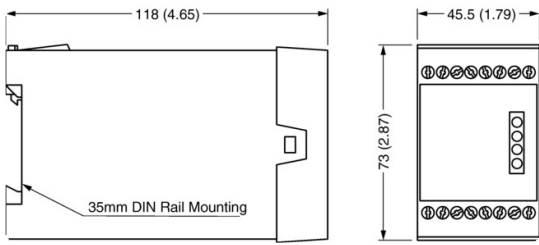
Inputs	Safety Outputs	Auxiliary Outputs	Power Supply	Time Delay	Cat. No.
2 N.C.	2 N.O. Instantaneous 1 N.O. Delayed	1 N.C.	24V AC/DC	0.1...10 seconds	440R-M23048
				1...35 seconds	440R-M23057

Accessories

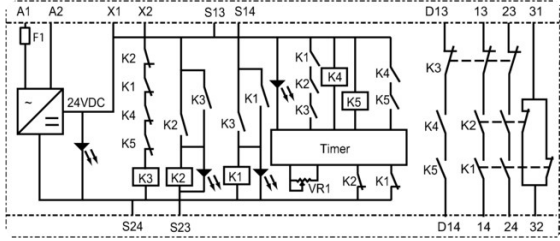
Description	Cat. No.
500 mA fuse—Bussmann Cat. No. ETF-500 mA	440R-A31562

Approximate Dimensions

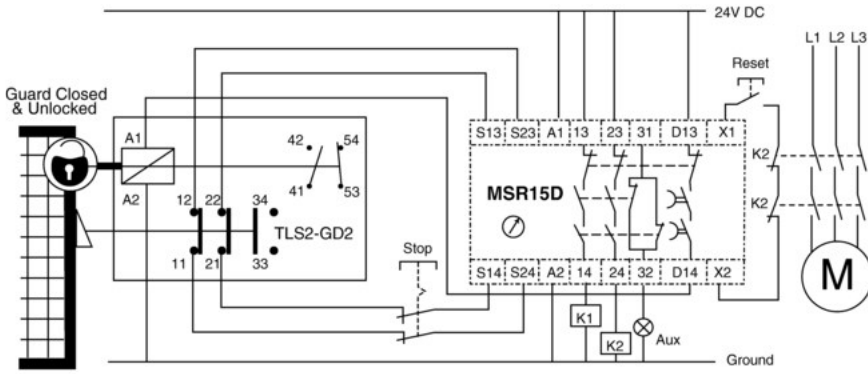
Dimensions are shown in mm (in.). Dimensions are not intended to be used for installation purposes.



Block Diagram



Typical Wiring Diagrams



Dual Channel Guard Locking Safety Gate, Delayed Gate Release, Manual Reset, Dual Channel Output, Monitored Output

Application Details

